

Mini PT IR Dome

Model# TSP-320IR

*High Speed and Compact PT Cameras
Cost effective device for modern surveillance*



Overview

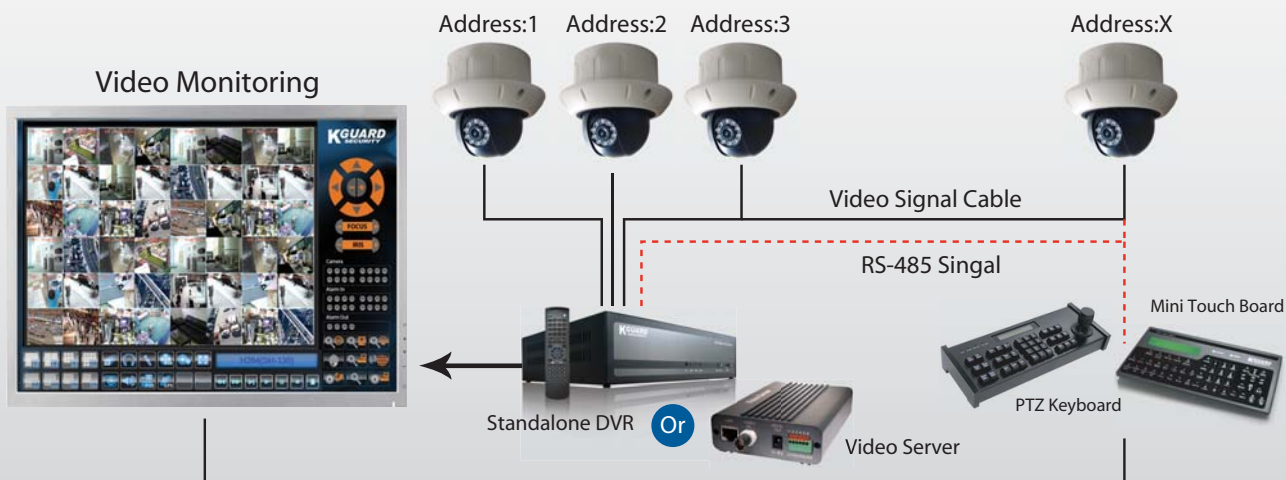
The TSP series is a compact and popular choice for indoor use. These PT dome cameras can do most functions that are normally found in expensive PTZ speed domes, such as functions of 355° panning range and 90° tilting continuous movement, 32 presets, and alarm etc. The tiny lightweight mini PT dome camera housing is easy to mount virtually anywhere. These cameras are perfect for a low-impact, high quality camera installation.

Features

- Modular design for maximum business flexibility
- Compact and light-weight for Easy-mount
- SONY Super-HAD CCD; 420 TV lines
- Horizontal 355°; Vertical 90°
- Pan, Tilt and Fast moving speed
- RS-485 control; Pelco D/P protocols compatible
- 32 presets; Auto-pan (4 groups); 32 camera ID
- 3 alarm-in, 1 alarm-out for intrusion management
- Embedded, surface, ceiling and wall mounts



Integration System

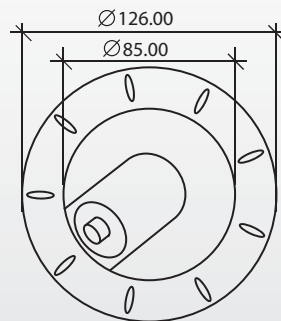
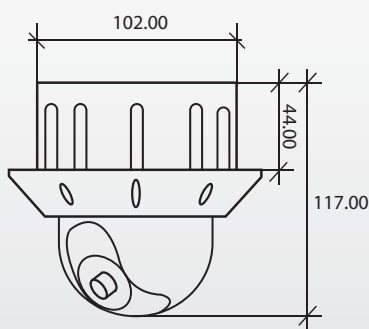


Mini PT Dome

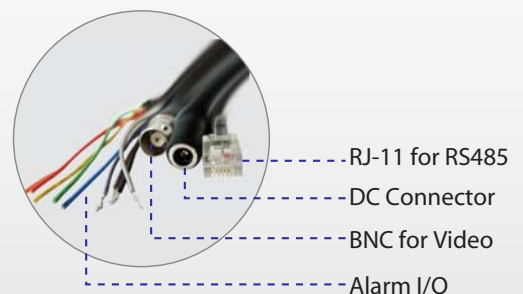
■ Specification

Model NO.	TSP-320IR	TSP-330	TSP-320
Type & Size of sensor	1/3" SONY Color CCD		
View Range	Pan 355° Tilt 90°		
Moving Speed Per Second	12~240°(Selectable)		
Dwell Each Stop	1~255 seconds (Selectable)		
Preset for Monitor	32 / Programmable		
Alarm I/O	3 inputs / 1 output (NC/NO dry connect)		
Control Signal	RS-485		
Camera ID	1~32, by internal switch		
Camera Resolution TV Lines	420TVL	480 TVL	420 TVL
Optical Zoom	None		
Light Sensitivity	0 Lux, w/IR	1 Lux	1 Lux
Focal Length	6mm		
IR Distance	15 Meter	None	None
Aperture	F2.0 fixed iris		
Connectivity	Quick Connection	RJ-45 (DC, Video, Control)	
	Discrete	RJ-11, BNC Power	
Maximum Range	Quick Connection	300 meters	
	Discrete	1,000 meters	
Power Operation Voltage	DV12V		
Dimension (Radius / Height)	51 mm (2") x 115 mm(4-1/2")		
Weight (g)	370gm	350gm	350gm
CE,FCC	Yes		
Protocol	Pelco D/P		

■ Dimension (unit: mm)



■ Plug Assembly



■ Ordering Information

Part NO.	Description
TSP-320IR	1/3" Sony CCD 420TVL, PT DOME(Pan 355, tilt 90), 32 preset point, with I/O, IR 10M
TSP-330	1/3" Sony CCD 480TVL, PT DOME(Pan 355, tilt 90), 32 preset point, with I/O
TSP-320	1/3" Sony CCD 420TVL, PT DOME(Pan 355, tilt 90), 32 preset point, with I/O